

# SCHUMACHER

Quality Construction Supplies

 **GEALAN**  
INNOVATION MIT SYSTEM



Windows & Doors Catalogue | 2024



# About US

— Excellence in every detail.

We are SCHUMACHER S.A.S., a young company in its conception but with over 20 years of experience in the exciting world of windows.

**Committed to top-quality brands** such as VEKA and GEALAN, renowned for their **excellent technical, aesthetic, and functional performance.**

We not only provide personalized attention but also the commitment and dedication necessary for each of our clients, **striving for excellence in every detail.**

Guided by the times, we aim to adopt new technologies and innovations that promote sustainable energy-conscious solutions, **saving resources for future generations.**



## Our profiles

— Quality and performance

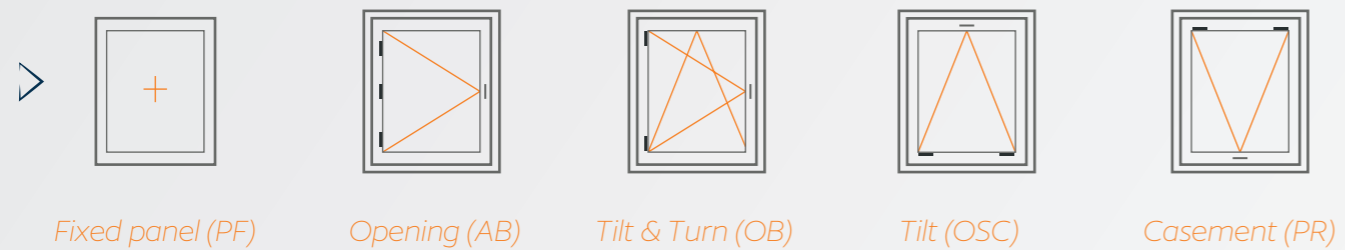
We have VEKA and GEALAN carpentries. **Quality projects, performance, and durability guaranteed, manufactured with high-performance PVC profiles of German origin and technology.**



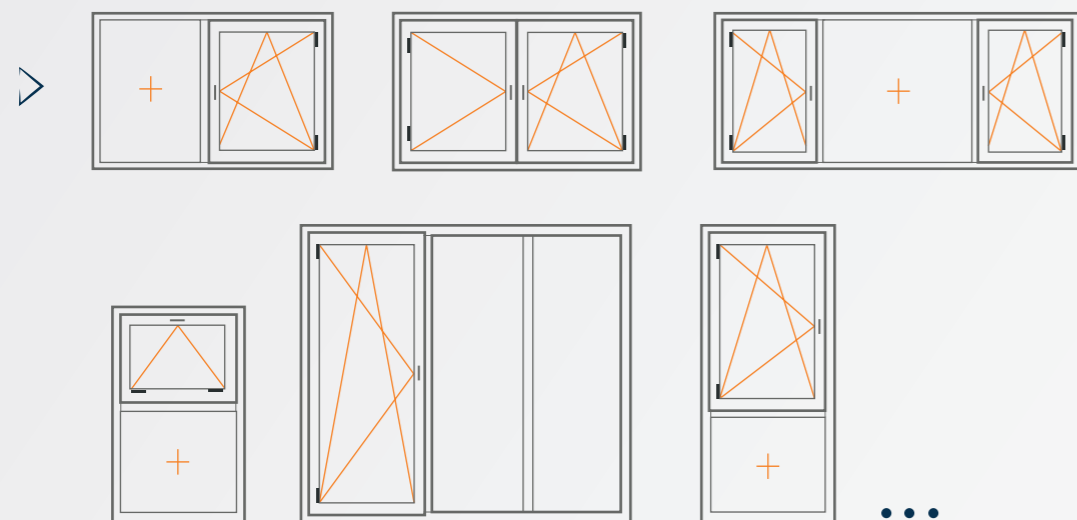
# Opening systems

Our opening systems consist of a **wide range of typologies and formats** that can be combined with each other to **resolve the aesthetic and formal requirements** of your project. All our opening lines feature **excellent performance and innovative technology, providing high-quality products with strong design imprint geometries.**

## Typologies



## Some layouts



# S8000

Frame depth

74 mm



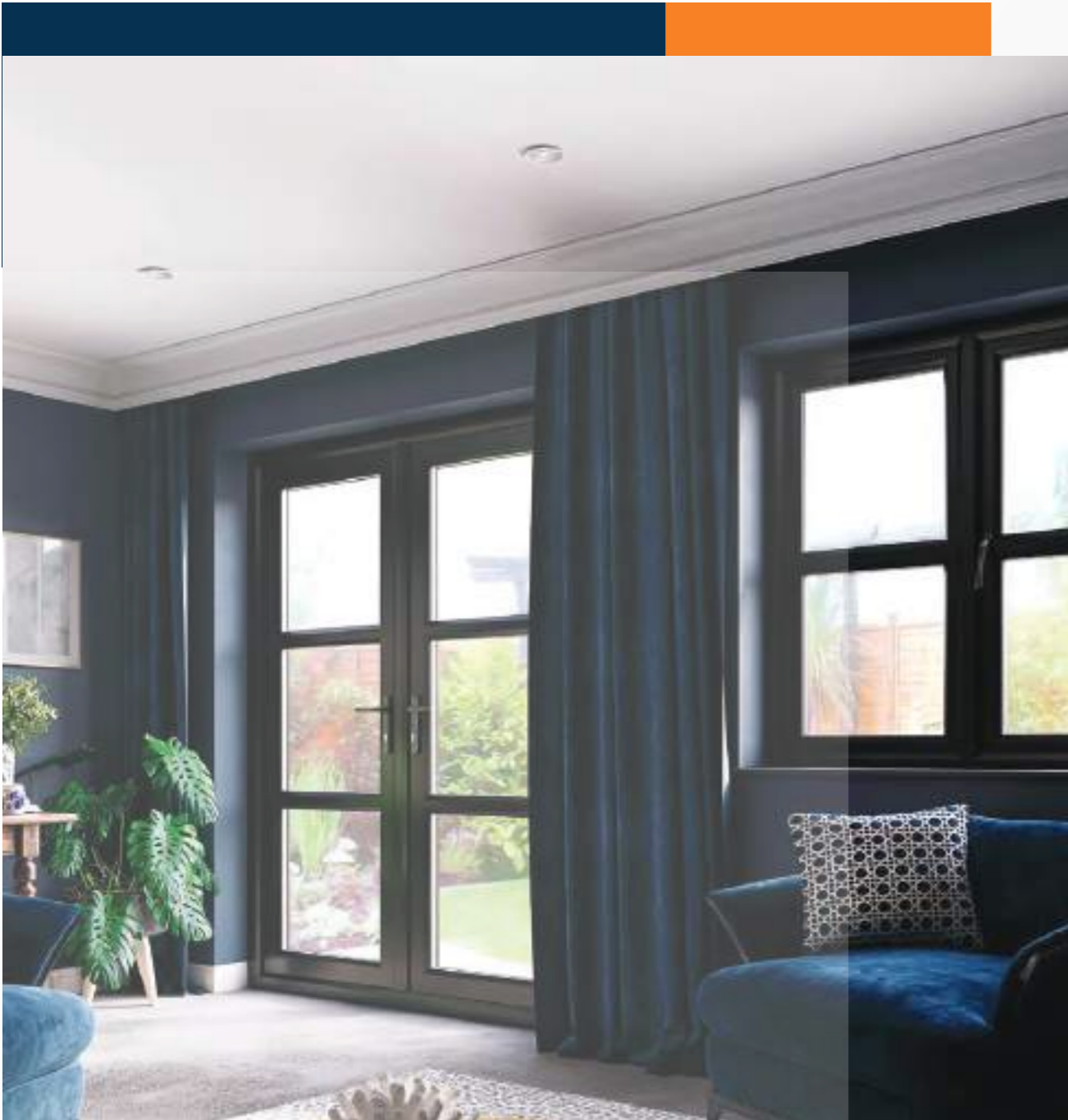
Up to three glasses (Máx: 44 mm)



Thermal insulation up to  $U_w = 0.93 \text{ W / m}^2\text{K}$ .



Sound insulation up to 31 dB



Our GEALAN S8000 line features **excellent thermal insulation due to the number of chambers in both frame and sash**, and its capability to accommodate glazing up to 44mm. In addition to its **high performance, its cutting-edge design blends a sleek and modern style.**

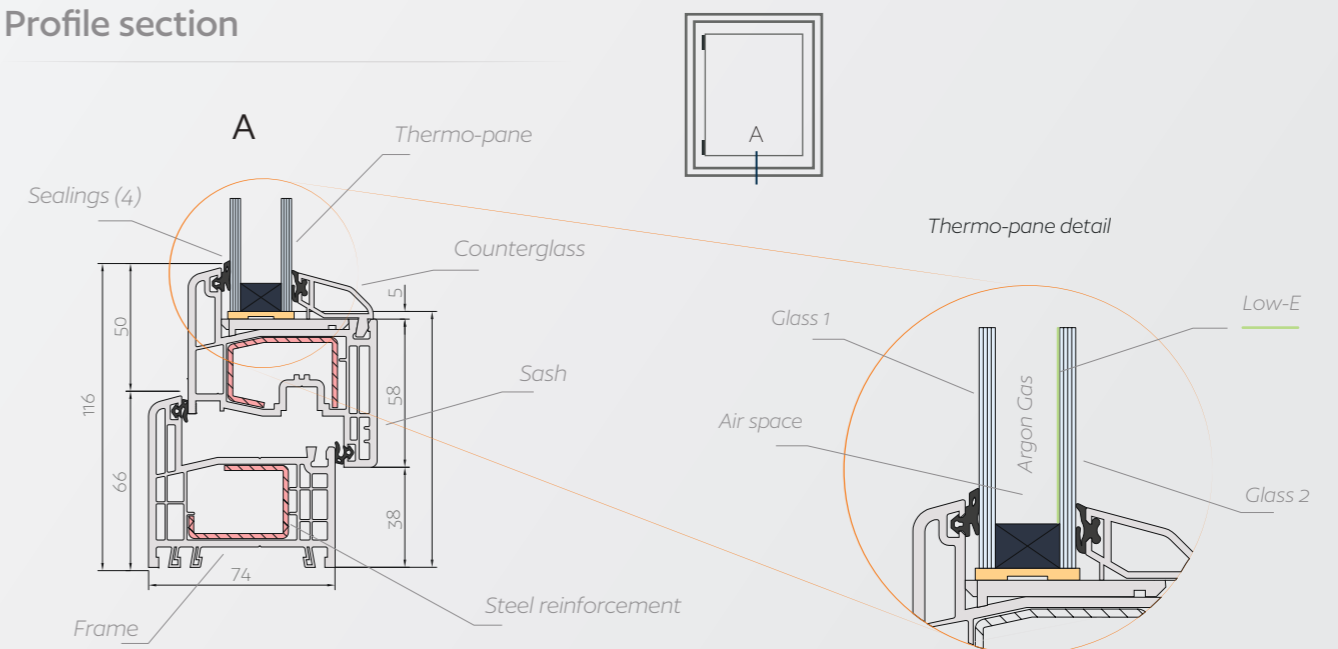
## Maximum dimensions (Sash)

- ▶ Width: 1200 mm *\*It can vary*
- ▶ Height: 2300 mm *\*It can vary*
- Sash weight: 80-100Kg

## Thermal transmittance

- ▶  $U_f = 1.1 \text{ W / m}^2\text{K}$ .
- ▶  $U_g = 0.8 \text{ W / m}^2\text{K}$ .
- $U_w = 0.93 \text{ W / m}^2\text{K}$ .

## Profile section



# Softline 76

Frame depth  
76 mm



- Upt to three glasses (Máx: 48 mm)
- Thermal insulation up to  $U_w = 0.76 \text{ W / m}^2\text{K}$ .
- Sound insulation up to 44 dB

SOFTLINE 76 profiles meet the **highest quality standard**. This system is designed to achieve **maximum thermal insulation combined with maximum structural robustness** thanks to its internal steel reinforcements.

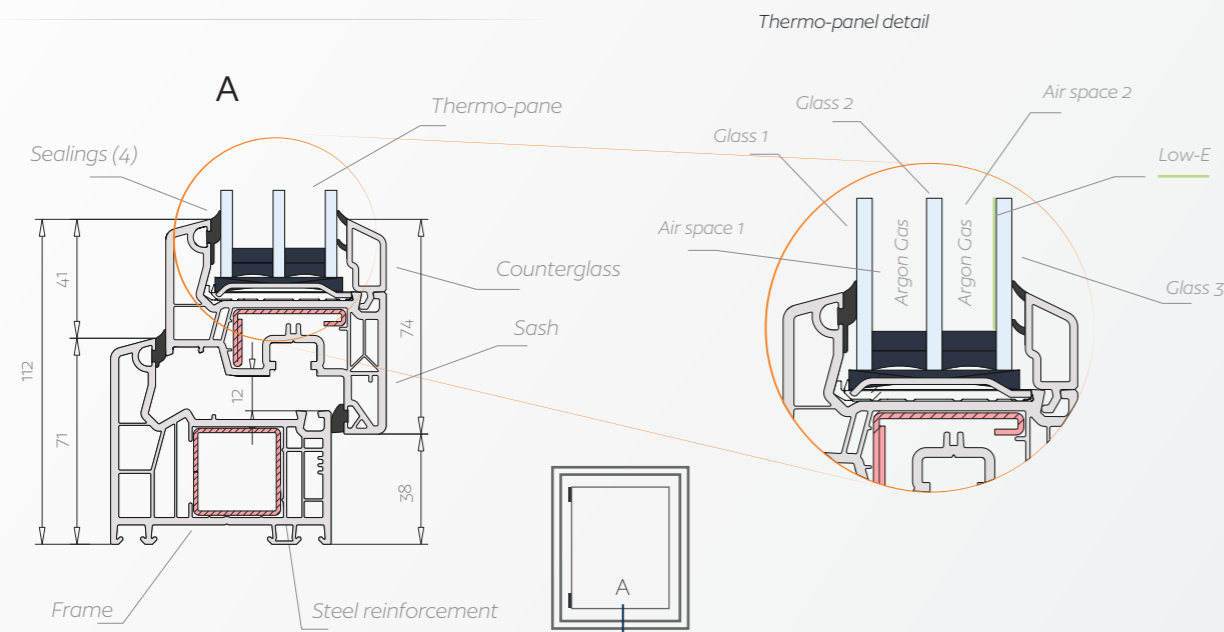
## Maximum dimensions (Sash)

- ▶ Width: 1200 mm *\*It can vary*
- ▶ Height: 2300 mm *\*It can vary*
- Sash weight: 130Kg

## Thermal transmittance

- ▶  $U_f = 1.1 \text{ W / m}^2\text{K}$ .
- ▶  $U_g = 0.5 \text{ W / m}^2\text{K}$ .
- $U_w = 0.76 \text{ W / m}^2\text{K}$ .

## Profile section



# Softline 82

Frame depth  
82 mm



- Upt to three glasses (Máx: 54 mm)
- Thermal insulation up to  $U_w = 0.67 \text{ W / m}^2\text{K}$ .
- Sound insulation up to 47 dB

The SOFTLINE 82 profile system has been **designed for energy-efficient projects, meeting Passive House standards**. The excellent insulating properties and special design of this high-performance system are **in line with current European requirements**.

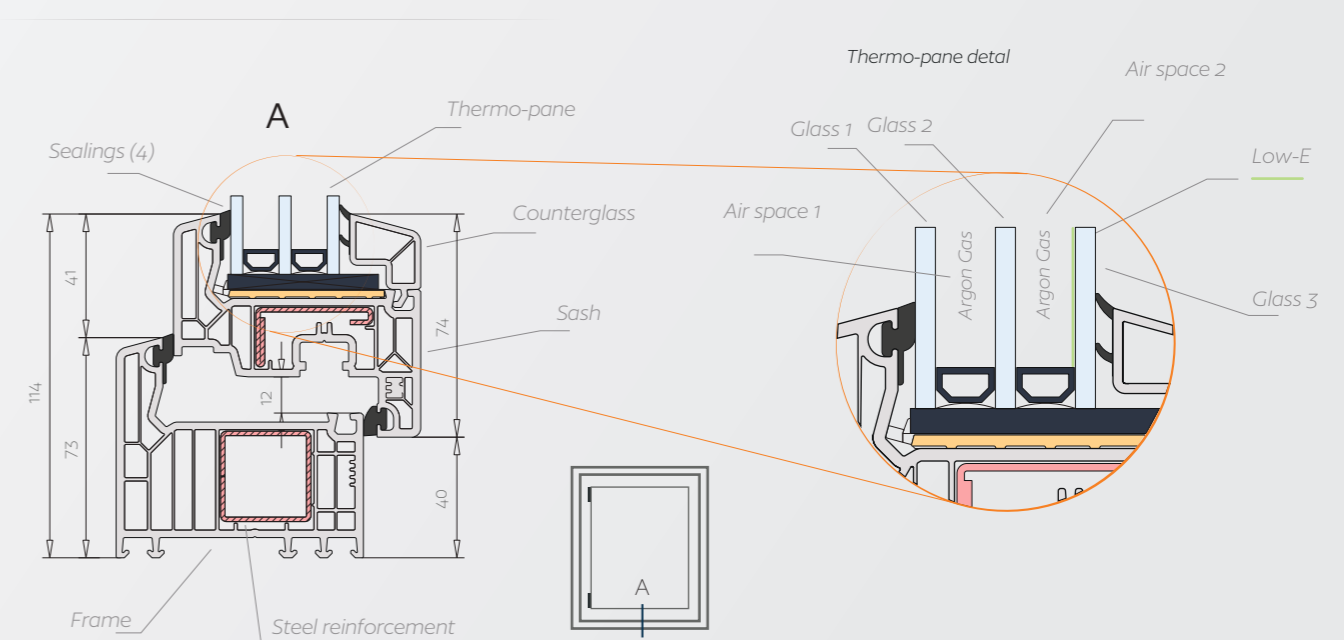
## Maximum dimensions (Sash)

- ▶ Width: 1200 mm *\*It can vary*
- ▶ Height: 2300 mm *\*It can vary*
- Sash weight: 130Kg

## Thermal transmittance

- ▶  $U_f = 1.0 \text{ W / m}^2\text{K}$ .
- ▶  $U_g = 0.48 \text{ W / m}^2\text{K}$ .
- $U_w = 0.67 \text{ W / m}^2\text{K}$ .

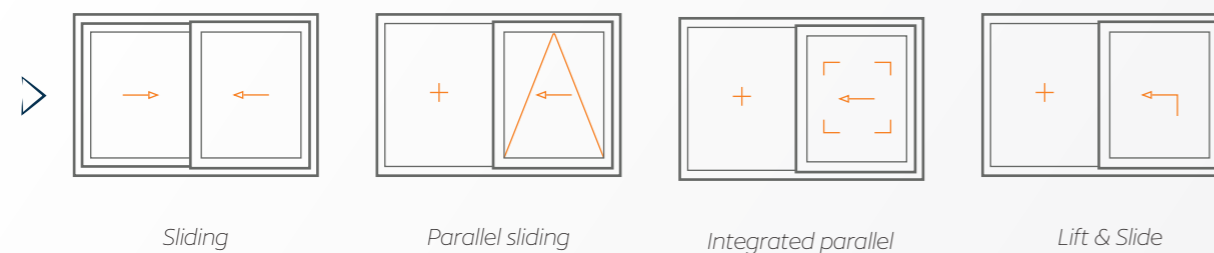
## Profile section



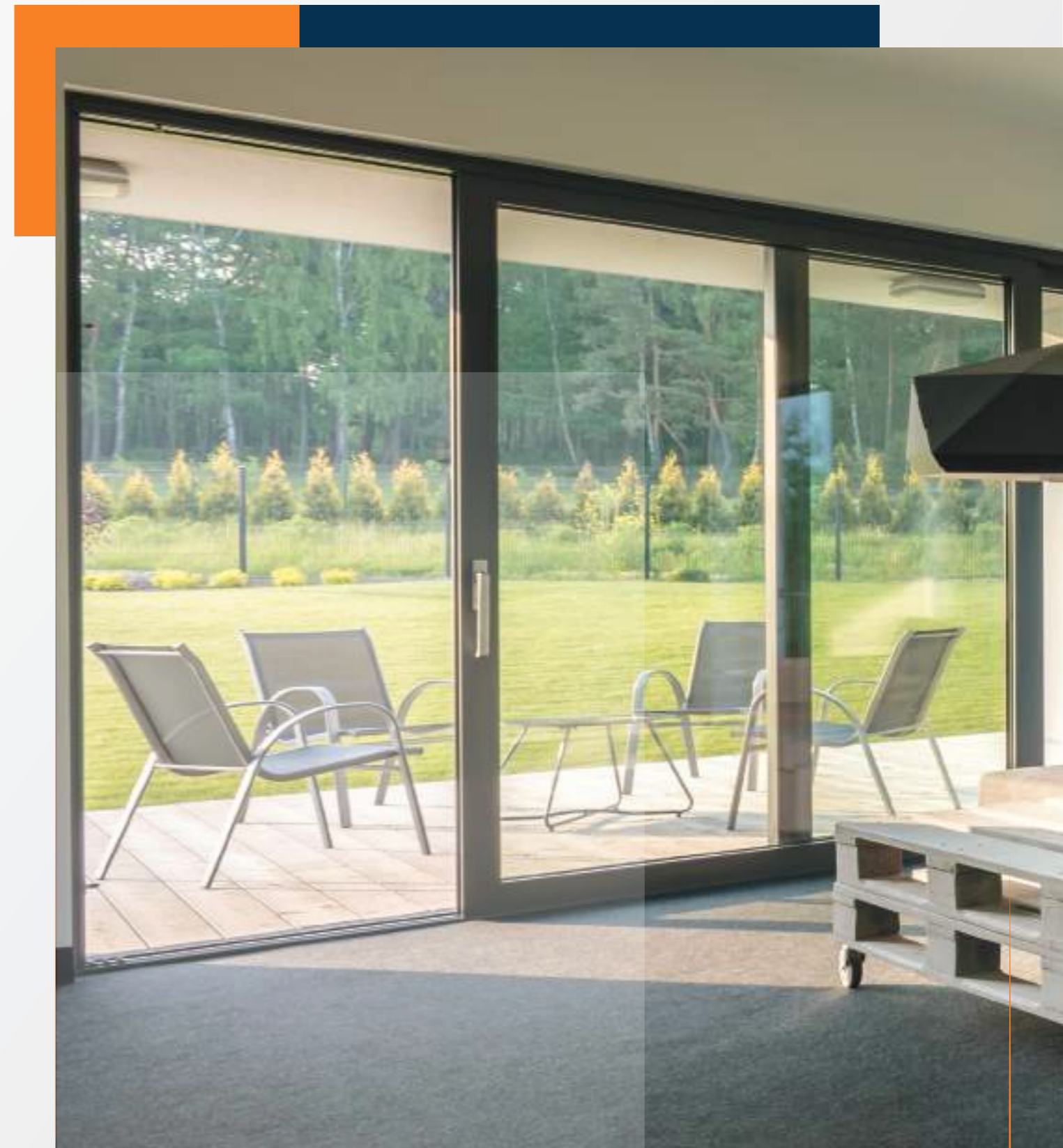
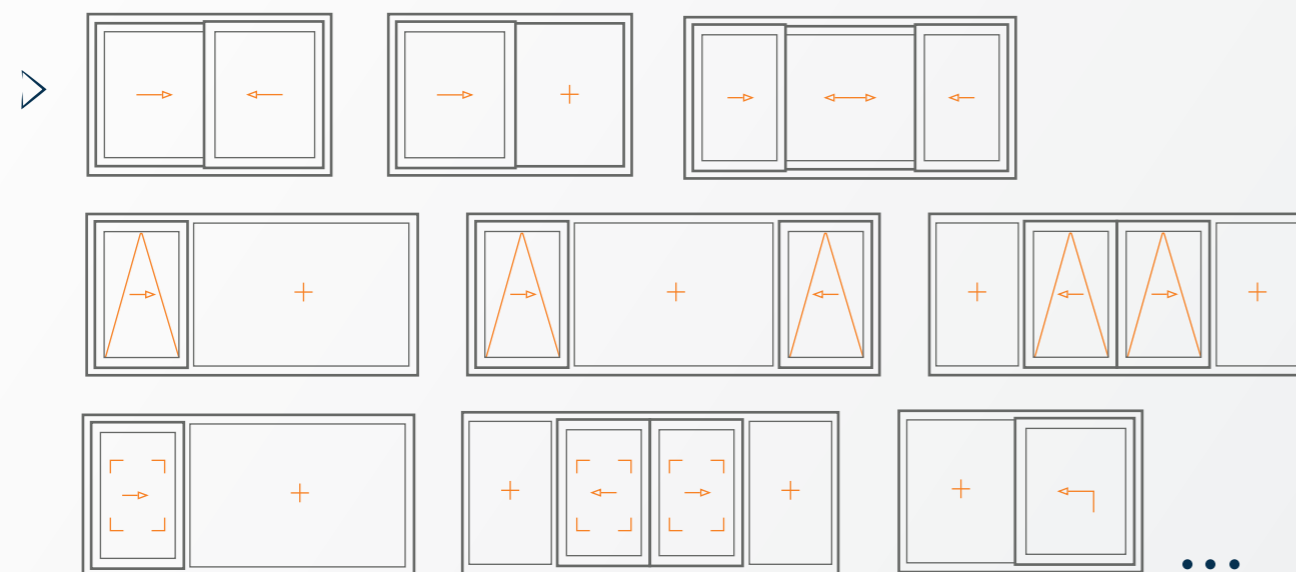
# Sliding systems

Our sliding systems not only meet the **highest standards of thermal insulation** but also **achieve the efficiency and space optimization** that your project requires. All our systems and typologies **offer easy handling and use, ensuring smooth and durable operation over time.**

## Tipologías



## Algunos formatos



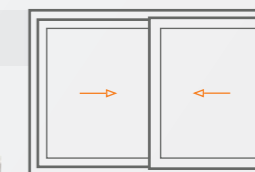
# Ekosol 70

Frame depth

70 mm



Sliding



- Up to two glasses (Máx: 24 mm)
- Thermal insulation up to  $U_w = 1.6 \text{ W / m}^2\text{K}$ .
- Sound insulation up to 36 dB

Veka Ekosol 70 profile system for sliding windows and doors features 3/2 chambers (frame/sash) and a depth of 70 mm. Its meticulous design **combines high-performance thermal and acoustic insulation with an aesthetic finish of sleek lines, achieving the best comfort and energy savings.**

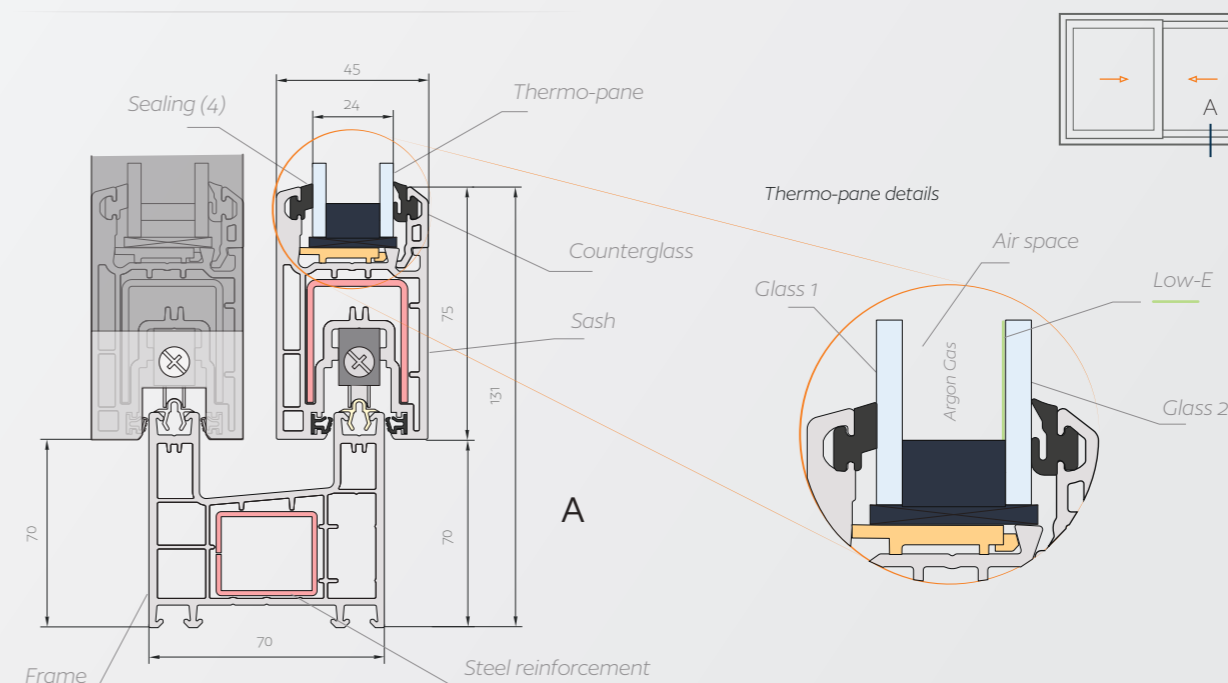
## Maximum dimensions (Sash)

- ▶ Width: 1500 mm *\*It can vary*
- ▶ Height: 2300 mm *\*It can vary*
- Sash weight : 70Kg

## Thermal transmittance

- ▶  $U_f = 2.3 \text{ W / m}^2\text{K}$ .
- ▶  $U_g = 1.0 \text{ W / m}^2\text{K}$ .
- $U_w = 1.6 \text{ W / m}^2\text{K}$ .

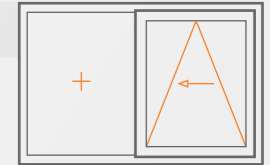
## Profile section





# Patio Alversa KS

Parallel sliding



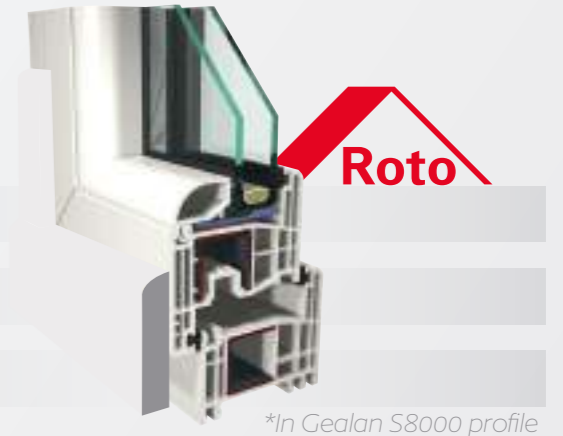
Frame depth

74 mm

 Up to three glasses (Máx: 44 mm)

 Thermal insulation up to  $U_w = 0.93 \text{ W / m}^2\text{K}$ .

 Sound insulation up to 31 dB



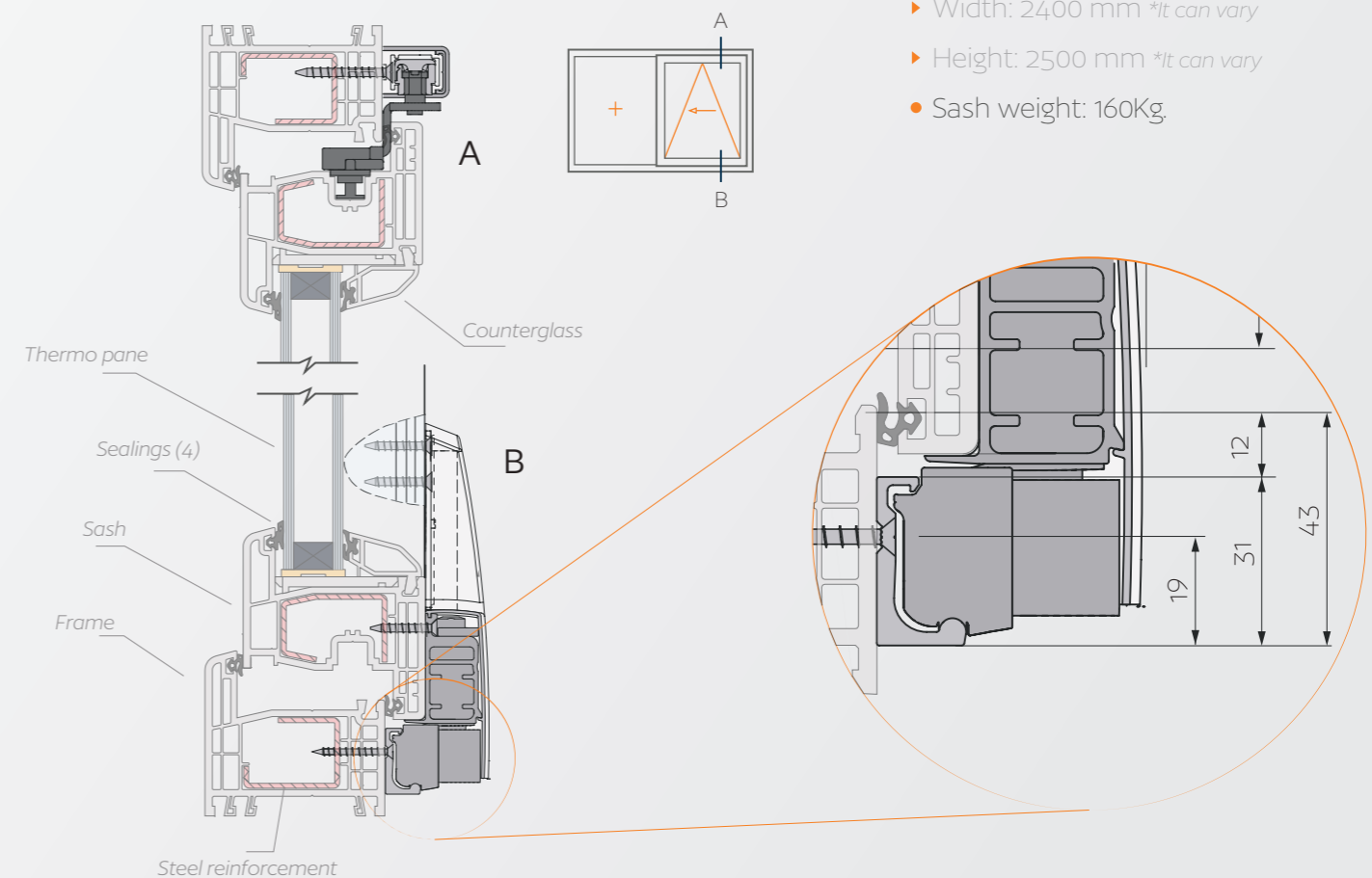
*\*In Gealan S8000 profile*

Sliding system **with the possibility of tilt ventilation**. Specifically designed to be used in **openings with large lengths and heights**, employing PVC profile systems (VEKA and GEALAN). The mechanism involves **smooth control for single-handed use, in a very simple and gentle manner**.

## Profile section

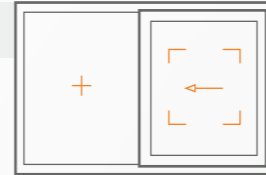
## maximum dimensions (Sash)

- ▶ Width: 2400 mm *\*it can vary*
- ▶ Height: 2500 mm *\*it can vary*
- Sash weight: 160Kg



# Smoovio

Integrated parallel



Frame depth

150 mm

- Up to three glasses (Máx: 44 mm)
- Thermal insulation up to  $U_w = 1.2 \text{ W / m}^2\text{K}$ .
- Sound insulation up to 43 dB

**GEALAN**  
INNOVATION MIT SYSTEM

This new and innovative GEALAN line features a **frame-integrated parallel sliding system**, with the **ability for a flat opening ventilation of 8 mm**. It boasts a **sleek and light weight design, easy to open and close, ensuring the necessary tightness and sealing**.

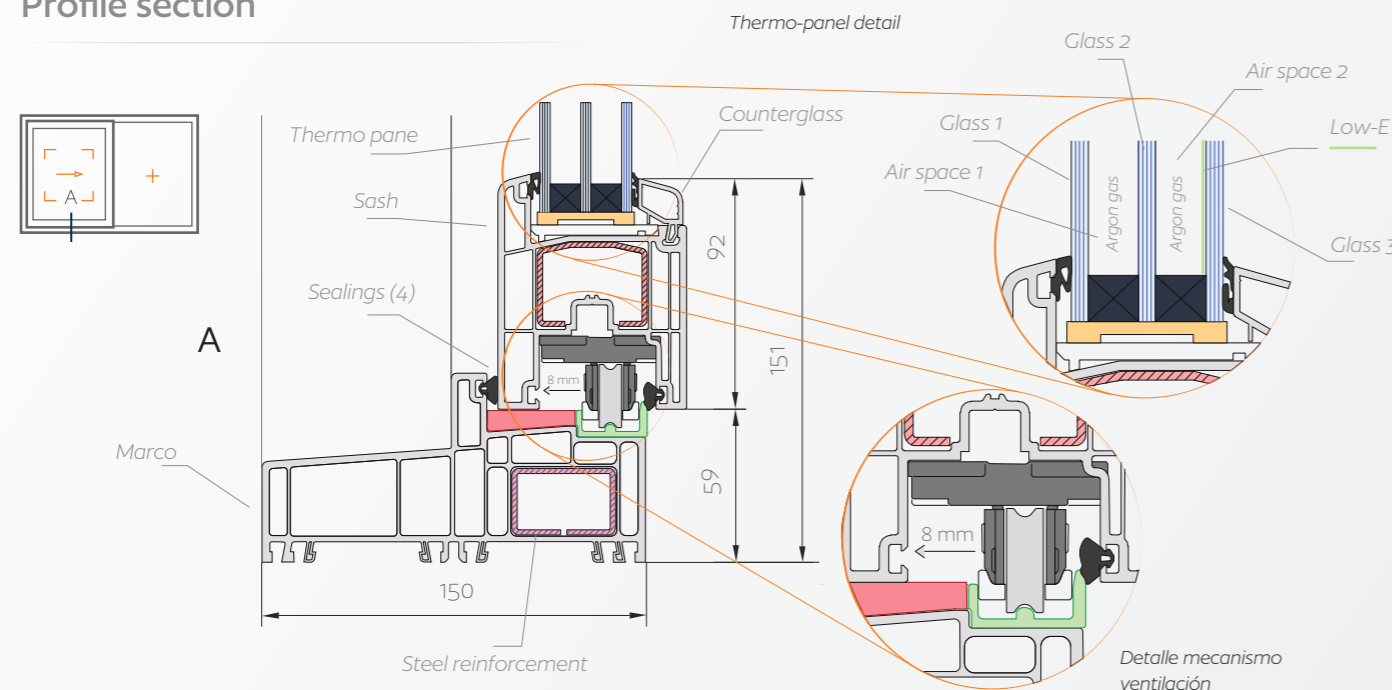
## Maximum dimensions (Sash)

- ▶ Width: 2000 mm *\*It can vary*
- ▶ Height: 2390 mm *\*It can vary*
- Sash weight: 200Kg.

## Thermal transmittance

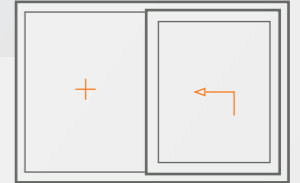
- ▶  $U_f = 1.4 \text{ W / m}^2\text{K}$ .
- ▶  $U_g = 1.0 \text{ W / m}^2\text{K}$ .
- $U_w = 1.2 \text{ W / m}^2\text{K}$ .

## Profile section



# Vekamotion 82

Lift & Slide



Frame depth

194 mm

- Up to three glasses (Máx: 52 mm)
- Thermal insulation up to  $U_w = 0.73 \text{ W / m}^2\text{K}$ .
- Sound insulation up to 42 dB

**VEKA**

This lift-sliding line was **designed to support large sash weights and dimensions**. Its design, mounted on EPDM gaskets, **ensures excellent sealing and tightness, meeting extreme water and wind resistance requirements**.

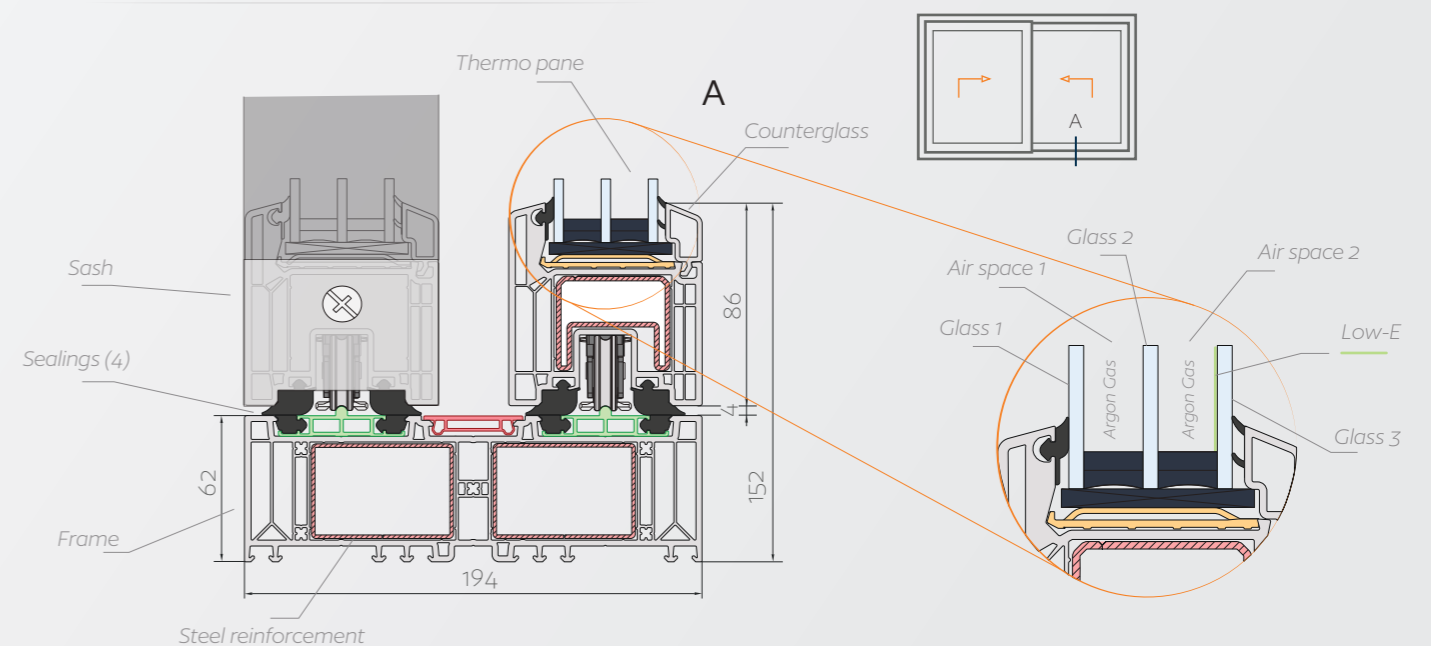
## Maximum dimensions (Sash)

- ▶ Width: 3000 mm *\*It can vary*
- ▶ Height: 2500 mm *\*It can vary*
- Sash weight: 300Kg.

## Thermal transmittance

- ▶  $U_f = 1.4 \text{ W / m}^2\text{K}$ .
- ▶  $U_g = 0.5 \text{ W / m}^2\text{K}$ .
- $U_w = 0.73 \text{ W / m}^2\text{K}$ .

## Profile section



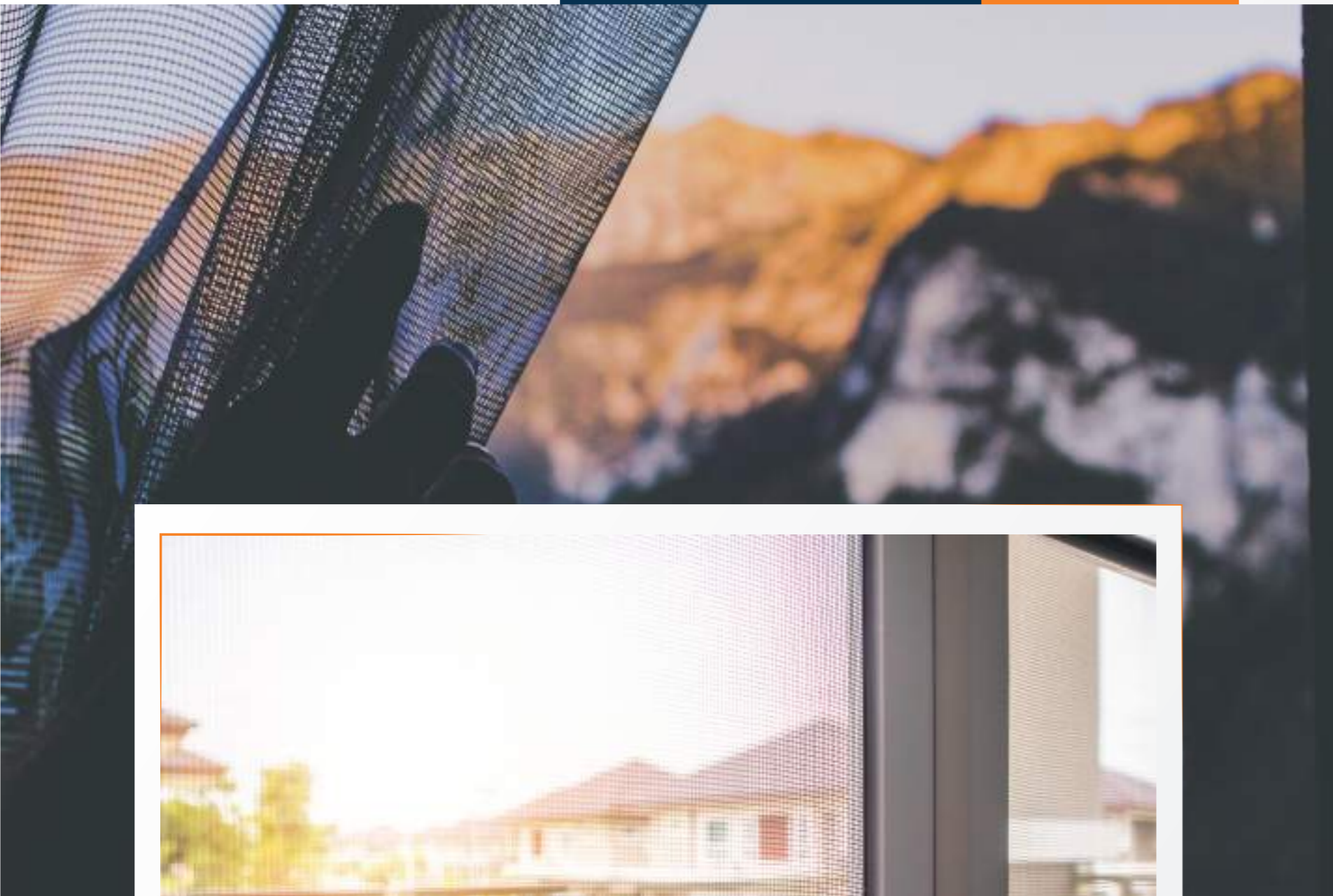
## Hardware

— Efficiency in motion.

Our windows are equipped with the latest hardware from **global leaders in the industry**, ensuring an **opening/closing cycle of 15,000 cycles**.

We use Roto (Germany) and Maco (Austria) hardware, designed to meet multiple objectives. Performance in opening/closing, **ensuring excellent durability, safety, and reduced visibility technologies**.





## Mosquito nets

— Your home insect-free.

Your home insect-free **without sacrificing freshness and ventilation.** Our easy installation and maintenance provide **necessary protection against all types of insects. Designed to fit your windows, ideal for conventional doors and windows.** We offer both sliding and fixed mosquito screens.



# Our Commitment

— The value of quality and service.

At the heart of our company lies a fundamental value: **The commitment with quality and service.**

We treat each project as our own, not only delivering quality that exceeds expectations, but also **ensuring highly satisfactory results.**

We offer functional solutions related to each opening, **taking care of the economic aspects and ensuring that your project receives the attention it deserves**, providing thorough follow-up not only in the definition stage but also in the **manufacturing and installation phases of your projects.**



# Sustainability

— Sustainable over time.

In times of rising prices of raw materials and energy, **modern windows significantly reduce conditioning and heating costs**. Our insulated glass units feature **Low-E and Argon Gas technologies**, not only reducing thermal transmittance considerably but also **protecting your home from UV rays and infrared radiation throughout the year**. These new technologies **aim to achieve maximum energy efficiency in your home, reducing heating and air conditioning costs**, optimizing resources, and **meeting sustainable European passive standards**.

## ¿What is a Passive House?

**Passive houses rely on bioclimatic architecture to achieve high energy efficiency while maintaining suitable comfort for their occupants throughout the year.**

At SCHUMACHER S.A.S., we strive with our products to maximize energy efficiency based on the following technical aspects:

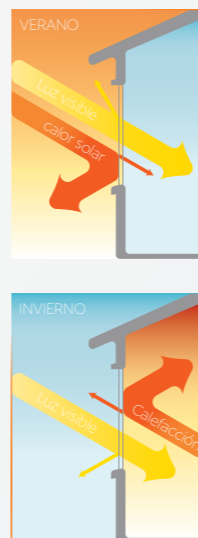
- Minimum possible thermal transmittance coefficient.
- Absence of thermal bridges.
- High-performance windows and doors.
- High air tightness sealing.





**LOW-E**  
(Low emissivity coating)

Low-emissivity glass coating that **reduces the harmful effects of infrared and ultraviolet light passage by 75% without affecting the transmitted visible light.** This coating, developed over more than five decades, **achieves a 70% reduction in external heat in summer and optimizes internal heat by 70% in winter.**



**ARGON GAS**

**Colorless and odorless gas**, denser than oxygen, injected into the air chamber of the thermal pane, acting as a thermal barrier, **preventing condensation and fogging due to temperature differences thanks to its high stability.**

*\*Completely safe inert noble gas.*

# SCHUMACHER

QUALITY CONSTRUCTION SUPPLIES



To request a quote from us, please write to [comercial@schumacherqcs.com](mailto:comercial@schumacherqcs.com)

**Contacts:**

Matías Juan Schumacher

Tel: +59898095603

Mail: [matias.schumacher@schumacherqcs.com](mailto:matias.schumacher@schumacherqcs.com)

Marcos Schumacher

Tel: +59898474174

Mail: [marcos.schumacher@schumacherqcs.com](mailto:marcos.schumacher@schumacherqcs.com)